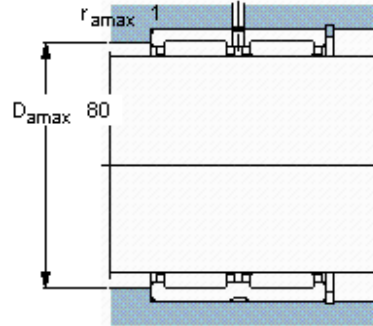
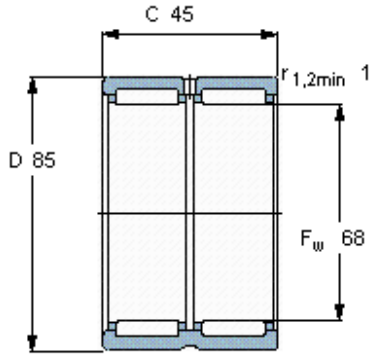


Needle roller bearings, with machined rings, with flanges, without an inner ring

Principal dimensions			Basic load ratings		Speed ratings	Limiting speed	Designation
F _w	D	C	dynamic C	static C ₀	Reference speed		
mm			kN		r/min		-
68	85	45	93,5	204	6000	6700	RNA 6912



Appropriate seals

G seal	-
SD seal	-
CR seal	68x85x8 CRW1 R